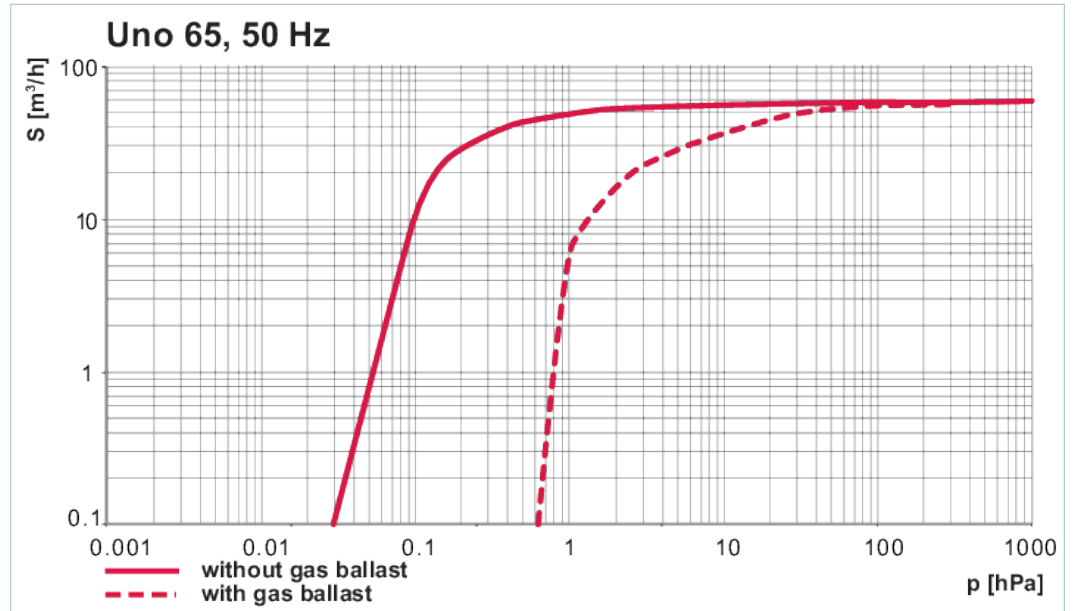


**Uno 65, Rotary vane pump,  
230/400 V, 50 Hz | 265/460 V, 60 Hz**

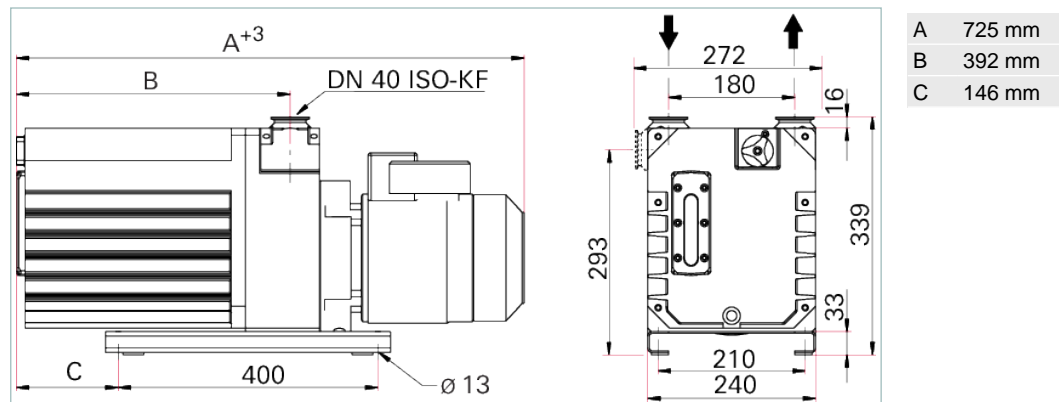


Similar Image

## Uno 65, Rotary vane pump, 230/400 V, 50 Hz | 265/460 V, 60 Hz



### Dimensions



### Technical Data

### Uno 65, Rotary vane pump, 230/400 V, 50 Hz | 265/460 V, 60 Hz

Pumping speed at 60 Hz	70 m <sup>3</sup> /h   41.2 cfm   1,166.67 l/min
Pumping speed at 50 Hz	62 m <sup>3</sup> /h   36.49 cfm   1,033.33 l/min
Protection category	IP55
Final pressure with gas ballast	≤ 1 hPa   ≤ 0.75 Torr   ≤ 1 mbar
Final pressure without gas ballast	≤ 5 · 10 <sup>-2</sup> hPa   ≤ 3.75 · 10 <sup>-2</sup> Torr   ≤ 5 · 10 <sup>-2</sup> mbar
Connection flange (in)	DN 40 ISO-KF
Connection flange (out)	DN 40 ISO-KF
Rated power 50 Hz	1.5 kW
Rated power 60 Hz	1.8 kW
Motor version	3-ph motor
Motor protection	3TF
Mains cable	No
Water vapor capacity 50 Hz	1400 g/h

<b>Technical Data</b>		<b>Uno 65, Rotary vane pump, 230/400 V, 50 Hz   265/460 V, 60 Hz</b>
Water vapor capacity 60 Hz		1600 g/h
Water vapor tolerance at 50 Hz		30 hPa   22.5 Torr   30 mbar
Water vapor tolerance at 60 Hz		30 hPa   22.5 Torr   30 mbar
Cooling method, standard		Air
Ambient temperature		12-40 °C   53.6-104 °F   285-313 K
Exhaust pressure, min.		Atmospheric pressure
Exhaust pressure, max.		1,500 hPa   1,125 Torr   1,500 mbar
Emission sound pressure level without gas ballast at 50 Hz		≤ 61 dB(A)
Operating fluid		P3
Operating fluid amount		5.4 l
Rotation speed at 50 Hz		1,500 rpm   1,500 min <sup>-1</sup>
Rotation speed at 60 Hz		1,800 rpm   1,800 min <sup>-1</sup>
Leak rate safety valve		≤ 1 · 10 <sup>-5</sup> Pa m <sup>3</sup> /s   ≤ 7.5 · 10 <sup>-5</sup> Torr l/s   ≤ 1 · 10 <sup>-4</sup> mbar l/s
Dimensions (L x W x H)		725 x 240 x 340 mm   28.54 x 9.45 x 13.39 inch
Weight: with motor		70 kg   154.32 lb
<b>Order number</b>		
Uno 65		<b>PK D36 602</b>

<b>Accessories</b>	
<b>Connections Adapters for OktaLine to Rotary Vane Pumps</b>	
Adapter Uno/Duo 35/65 for Okta 250	PK 223 787 -T
Adapter Uno/Duo 35/65 for Okta 300/500/600/800/1000	PK 224 629 -T
<b>Flanges/Ports Blank flanges</b>	
Blank flange gas ballast valve with O-ring and screws	PK 223 797 -T
<b>Monitoring Operations monitoring units</b>	
Operations monitoring unit 1 for Duo 35/65	PK 223 718 AU
Operations monitoring unit 3 for Duo 35/65, Duo 125/255	PK 223 739 AU
<b>Monitoring Pressure switches</b>	
Oil pressure switch for Duo 35/65   Duo 35/65 MC	PK 223 720 -U
Oil pressure switch for Duo 35/65 with OFC/OFM	PK 223 741 -U
<b>Other</b>	
Cold Trap, LN2, angled, DN 40 ISO-KF, 6" body, stainless steel / FPM	FTNA-6-1502-NWB
<b>Protection Activated carbon filters</b>	
FAK 040, activated carbon filter	PK Z30 008
<b>Protection Catalyzer traps</b>	
URB 040, catalytic trap, 230 V	PT U10 260
URB 040, catalytic trap, 115 V	PT U10 261
<b>Protection Condensate separators</b>	
KAS 40, condensate separator for pumping speeds up to 120 m <sup>3</sup> /h	PK Z10 008
<b>Protection Dust separators/Inlet particle filters</b>	
SAS 40, DN 40 ISO-KF, polyester filter	PK Z60 510
<b>Protection Motor protection</b>	
PTC-resistor tripping device for motor protection 220 – 240 V AC	P 4768 052 FQ
<b>Protection Oil filters</b>	
OFC 35/65, chemical oil filter	PK Z90 320
OFM 35 / 65, mechanical oil filter	PK Z90 321
External Oil Filter DE 1, 230 V, 50 Hz	068990
External Oil Filter DE 1, 110 V	068991
External Oil Filter DE 2, 230 V, 50 Hz	104374
External Oil Filter DE 2, 110 V, 50 Hz/60 Hz	104375
<b>Protection Oil mist eliminators</b>	
OME 40 M, oil mist separator for Duo 35/65, Duo 35/65 M	PK Z40 150
OME 40 MR, oil mist separator with oil return to pump for Duo 35/65, Duo 35/65 M	PK Z40 151
Oil mist separator OME 40 S	104887
<b>Protection Oil return units from oil mist eliminators</b>	
Oil return unit ODK from OME 40 M/C to Duo 35/65	PK 005 950 -T
<b>Protection Sorption traps, corrosive version</b>	
Sorption Trap ST 40, 230 V (without Adsorbend Charge)	053380
Sorption Trap ST 40, 115 V (without Adsorbend Charge)	104371
<b>Valves Gas ballast conversion kits</b>	
Gas ballast valve conversion kit with hose nozzle	PK 223 713 -U

<b>Accessories</b>	
<b>Valves Gas ballast valves, magnetic</b>	
Gas ballast valve - conversion kit in corrosive gas version, including 24 V DC solenoid valve	<b>PK 223 717 -U</b>
<b>Consumables</b>	
P3, mineral oil, 1 l	<b>PK 001 106 -T</b>
P3, mineral oil, 5 l	<b>PK 001 107 -T</b>
P3, mineral oil, 20 l	<b>PK 001 108 -T</b>

## **VACUUM SOLUTIONS FROM A SINGLE SOURCE**

Pfeiffer Vacuum stands for innovative and custom vacuum solutions worldwide, technological perfection, competent advice and reliable service.

## **COMPLETE RANGE OF PRODUCTS**

From a single component to complex systems:

We are the only supplier of vacuum technology that provides a complete product portfolio.

## **COMPETENCE IN THEORY AND PRACTICE**

Benefit from our know-how and our portfolio of training opportunities!

We support you with your plant layout and provide first-class on-site service worldwide.

Are you looking for a  
perfect vacuum solution?  
Please contact us:

**Pfeiffer Vacuum GmbH**  
Headquarters · Germany  
T +49 6441 802-0  
info@pfeiffer-vacuum.de

[www.pfeiffer-vacuum.com](http://www.pfeiffer-vacuum.com)

All data subject to change without prior notice.

**PFEIFFER**  **VACUUM**