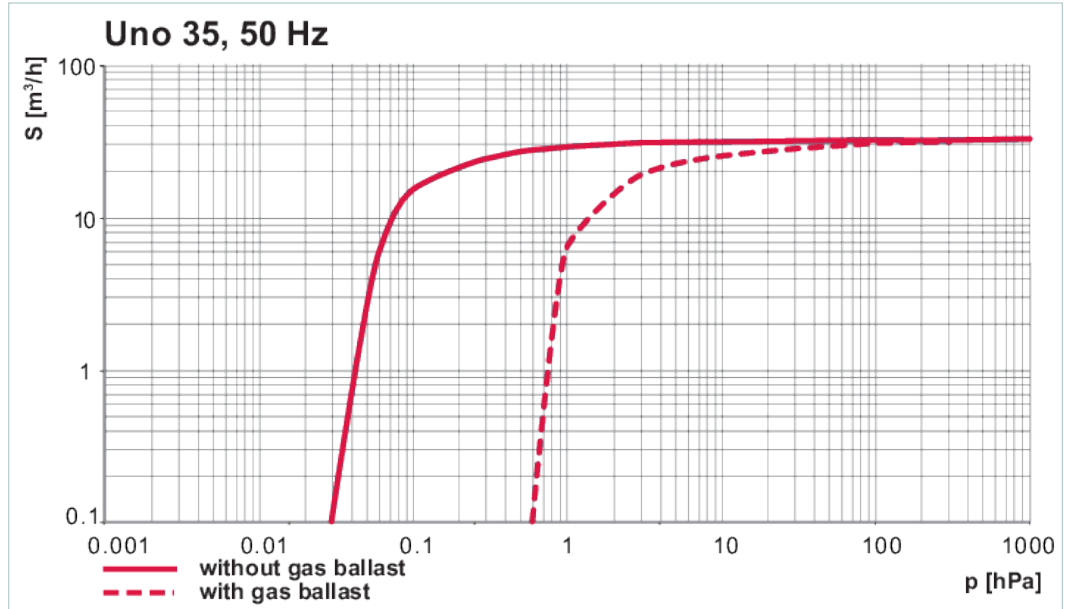


**Uno 35, 3-phase motor, 230/400 V,
50 Hz | 265/460 V, 60 Hz**

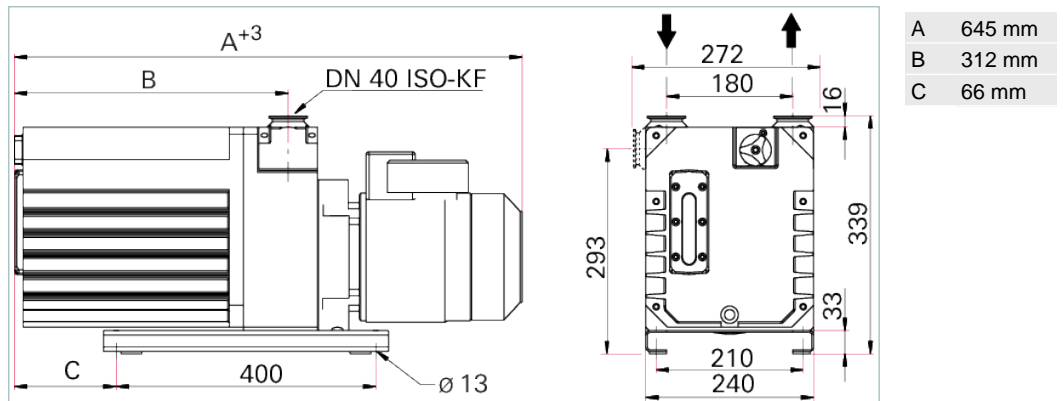


Similar Image

Uno 35, 3-phase motor, 230/400 V, 50 Hz | 265/460 V, 60 Hz



Dimensions



Technical Data	Uno 35, 3-phase motor, 230/400 V, 50 Hz 265/460 V, 60 Hz
Pumping speed at 60 Hz	36 m ³ /h 21.19 cfm 600 l/min
Pumping speed at 50 Hz	32 m ³ /h 18.84 cfm 533.33 l/min
Protection category	IP55
Final pressure with gas ballast	1 hPa 0.75 Torr 1 mbar
Final pressure without gas ballast	5 · 10 ⁻² hPa 3.75 · 10 ⁻² Torr 5 · 10 ⁻² mbar
Connection flange (in)	DN 40 ISO-KF
Connection flange (out)	DN 40 ISO-KF
Rated power 50 Hz	1.1 kW
Rated power 60 Hz	1.3 kW
Motor version	3-ph motor
Mains cable	No
Cooling method, standard	Air
Ambient temperature	12-40 °C 53.6-104 °F 285-313 K
Exhaust pressure, max.	1,500 hPa 1,125 Torr 1,500 mbar
Exhaust pressure, min.	250 hPa 187.5 Torr 250 mbar

Technical Data		Uno 35, 3-phase motor, 230/400 V, 50 Hz 265/460 V, 60 Hz
Emission sound pressure level without gas ballast at 50 Hz		61 dB(A)
Operating fluid		P3
Operating fluid amount		4.5 l
Rotation speed at 50 Hz		1,500 rpm 1,500 min ⁻¹
Rotation speed at 60 Hz		1,800 rpm 1,800 min ⁻¹
Leak rate safety valve		1 · 10 ⁻⁵ Pa m ³ /s 7.5 · 10 ⁻⁵ Torr l/s 1 · 10 ⁻⁴ mbar l/s
Weight		60 kg 132.28 lb
Order number		
Uno 35		PK D35 602

Accessories	
Connections Adapters for OktaLine to Rotary Vane Pumps	
Adapter Uno/Duo 35/65 for Okta 300/500/600/800/1000	PK 224 629 -T
Adapter Uno/Duo 35/65 for Okta 250	PK 223 787 -T
Flanges/Ports Blank flanges	
Blank flange gas ballast valve with O-ring and screws	PK 223 797 -T
Monitoring Operations monitoring units	
Operations monitoring unit 1 for Duo 35/65	PK 223 718 AU
Operations monitoring unit 3 for Duo 35/65, Duo 125/255	PK 223 739 AU
Monitoring Pressure switches	
Oil pressure switch for Duo 35/65 Duo 35/65 MC	PK 223 720 -U
Oil pressure switch for Duo 35/65 with OFC/OFM	PK 223 741 -U
Other	
Cold Trap, LN2, angled, DN 40 ISO-KF, 6" body, stainless steel / FPM	FTNA-6-1502-NWB
Protection Activated carbon filters	
FAK 040, activated carbon filter	PK Z30 008
Protection Catalyzer traps	
URB 040, catalytic trap, 115 V	PT U10 261
URB 040, catalytic trap, 230 V	PT U10 260
Protection Condensate separators	
KAS 40, condensate separator for pumping speeds up to 120 m ³ /h	PK Z10 008
Protection Dust separators/Inlet particle filters	
SAS 40, DN 40 ISO-KF, polyester filter	PK Z60 510
Protection Motor protection	
PTC-resistor tripping device for motor protection 220 – 240 V AC	P 4768 052 FQ
Protection Oil filters	
OFC 35/65, chemical oil filter	PK Z90 320
OFM 35 / 65, mechanical oil filter	PK Z90 321
External Oil Filter DE 1, 230 V, 50 Hz	068990
External Oil Filter DE 1, 110 V	068991
External Oil Filter DE 2, 230 V, 50 Hz	104374
External Oil Filter DE 2, 110 V, 50 Hz/60 Hz	104375
Protection Oil mist eliminators	
OME 40 M, oil mist separator for Duo 35/65, Duo 35/65 M	PK Z40 150
OME 40 MR, oil mist separator with oil return to pump for Duo 35/65, Duo 35/65 M	PK Z40 151
Oil mist separator OME 40 S	104887
Protection Oil return units from oil mist eliminators	
Oil return unit ODK from OME 40 M/C to Duo 35/65	PK 005 950 -T
Protection Sorption traps, corrosive version	
Sorption Trap ST 40, 230 V (without Adsorbend Charge)	053380
Sorption Trap ST 40, 115 V (without Adsorbend Charge)	104371
Valves Gas ballast conversion kits	
Gas ballast valve conversion kit with hose nozzle	PK 223 713 -U

Accessories	
Valves Gas ballast valves, magnetic	
Gas ballast valve - conversion kit in corrosive gas version, including 24 V DC solenoid valve	PK 223 717 -U
Consumables	
P3, mineral oil, 1 l	PK 001 106 -T
P3, mineral oil, 5 l	PK 001 107 -T
P3, mineral oil, 20 l	PK 001 108 -T

VACUUM SOLUTIONS FROM A SINGLE SOURCE

Pfeiffer Vacuum stands for innovative and custom vacuum solutions worldwide, technological perfection, competent advice and reliable service.

COMPLETE RANGE OF PRODUCTS

From a single component to complex systems:

We are the only supplier of vacuum technology that provides a complete product portfolio.

COMPETENCE IN THEORY AND PRACTICE

Benefit from our know-how and our portfolio of training opportunities!

We support you with your plant layout and provide first-class on-site service worldwide.

Are you looking for a
perfect vacuum solution?
Please contact us:

Pfeiffer Vacuum GmbH
Headquarters · Germany
T +49 6441 802-0
info@pfeiffer-vacuum.de

www.pfeiffer-vacuum.com

All data subject to change without prior notice.

PFEIFFER  **VACUUM**