

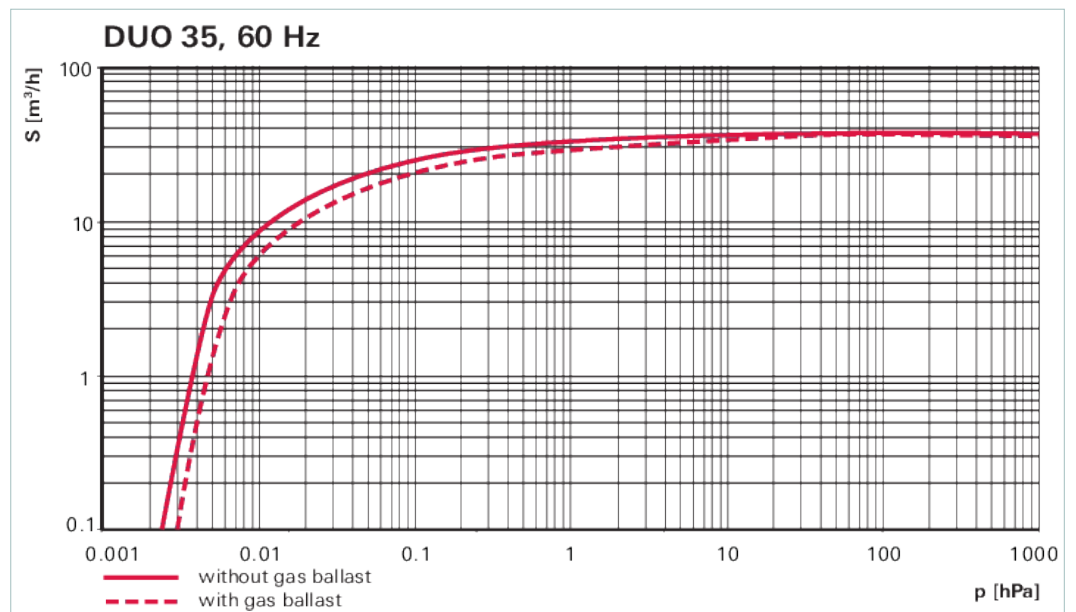
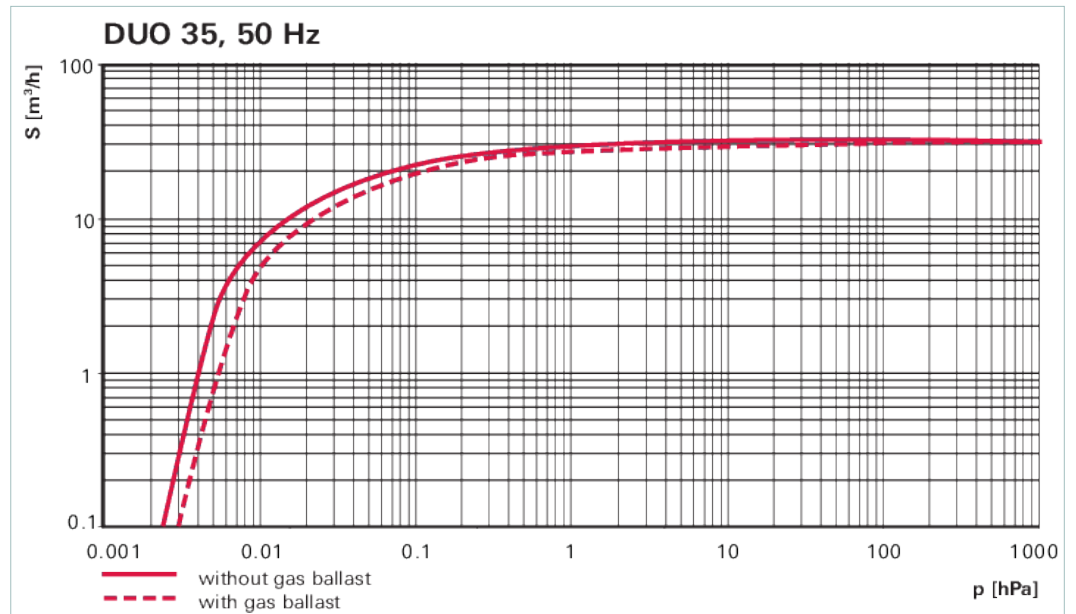
**Duo 35, 3-phase motor, 3TF,  
230/400 V, 50 Hz | 265/460 V, 60 Hz**



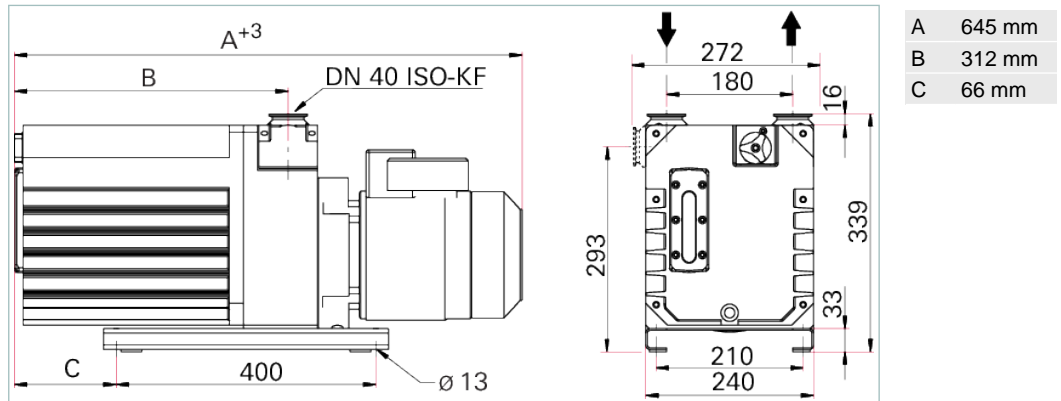
Similar Image

## Duo 35, 3-phase motor, 3TF, 230/400 V, 50 Hz | 265/460 V, 60 Hz

- Dual-stage, high-performance rotary vane pump with a pumping speed up to 36 m<sup>3</sup>/h
- With 3-phase motor
- With temperature sensor (3TF) for optimum motor protection
- Integrated gas ballast and HV safety valve
- For all low and medium vacuum applications
- Special feature: Various motor voltages for worldwide employment
- Other motor voltages available on request



## Dimensions



Technical Data	Duo 35, 3-phase motor, 3TF, 230/400 V, 50 Hz   265/460 V, 60 Hz
Connection flange (in)	DN 40 ISO-KF
Connection flange (out)	DN 40 ISO-KF
Pumping speed at 50 Hz	32 m <sup>3</sup> /h   18.84 cfm   533.33 l/min
Pumping speed at 60 Hz	36 m <sup>3</sup> /h   21.19 cfm   600 l/min
Final pressure with gas ballast	3 · 10 <sup>-3</sup> hPa   2.25 · 10 <sup>-3</sup> Torr   3 · 10 <sup>-3</sup> mbar
Final pressure without gas ballast	2 · 10 <sup>-3</sup> hPa   1.5 · 10 <sup>-3</sup> Torr   2 · 10 <sup>-3</sup> mbar
Exhaust pressure, min.	Atmospheric pressure
Exhaust pressure, max.	1,500 hPa   1,125 Torr   1,500 mbar
Rotation speed at 50 Hz	1,500 rpm   1,500 min <sup>-1</sup>
Rotation speed at 60 Hz	1,800 rpm   1,800 min <sup>-1</sup>
Sealing gas	false
Cooling method, standard	Air
Motor protection	3TF
Motor version	3-ph motor
Ambient temperature	12-40 °C   53.6-104 °F   285-313 K
Weight: with motor	68 kg   149.91 lb
Emission sound pressure level without gas ballast at 50 Hz	61 dB(A)
Switch	No
Mains requirement: voltage (range)	± 5 %
Mains connection: voltage 50 Hz	230/400 V
Mains connection: voltage 60 Hz	265/460 V
Mains cable	No
Operating fluid	P3
Operating fluid amount	3.2 l
Leak rate safety valve	1 · 10 <sup>-5</sup> Pa m <sup>3</sup> /s   7.5 · 10 <sup>-5</sup> Torr l/s   1 · 10 <sup>-4</sup> mbar l/s
Dimensions (L x W x H)	645 x 240 x 340 mm   25.39 x 9.45 x 13.39 inch
Rated power 50 Hz	1.1 kW
Rated power 60 Hz	1.3 kW
Protection category	IP55

Order number	
Duo 35	<b>PK D45 602</b>

<b>Accessories</b>	
<b>Connections Adapters for OktaLine to Rotary Vane Pumps</b>	
Adapter Uno/Duo 35/65 for Okta 250	PK 223 787 -T
Adapter Uno/Duo 35/65 for Okta 300/500/600/800/1000	PK 224 629 -T
<b>Flanges/Ports Blank flanges</b>	
Blank flange gas ballast valve with O-ring and screws	PK 223 797 -T
<b>Monitoring Operations monitoring units</b>	
Operations monitoring unit 1 for Duo 35/65	PK 223 718 AU
Operations monitoring unit 3 for Duo 35/65, Duo 125/255	PK 223 739 AU
<b>Monitoring Pressure switches</b>	
Oil pressure switch for Duo 35/65   Duo 35/65 MC	PK 223 720 -U
Oil pressure switch for Duo 35/65 with OFC/OFM	PK 223 741 -U
<b>Other</b>	
Cold Trap, LN2, angled, DN 40 ISO-KF, 6" body, stainless steel / FPM	FTNA-6-1502-NWB
<b>Protection Activated carbon filters</b>	
FAK 040, activated carbon filter	PK Z30 008
<b>Protection Catalyzer traps</b>	
URB 040, catalytic trap, 230 V	PT U10 260
URB 040, catalytic trap, 115 V	PT U10 261
<b>Protection Condensate separators</b>	
KAS 40, condensate separator for pumping speeds up to 120 m <sup>3</sup> /h	PK Z10 008
<b>Protection Dust separators/Inlet particle filters</b>	
SAS 40, DN 40 ISO-KF, polyester filter	PK Z60 510
<b>Protection Flushing devices</b>	
Gas flushing device for Duo 35 and Duo 65	PK 007 300 -T
<b>Protection Motor protection</b>	
PTC-resistor tripping device for motor protection 220 – 240 V AC	P 4768 052 FQ
<b>Protection Oil filters</b>	
OFC 35/65, chemical oil filter	PK Z90 320
OFM 35 / 65, mechanical oil filter	PK Z90 321
External Oil Filter DE 1, 110 V	068991
External Oil Filter DE 1, 230 V, 50 Hz	068990
External Oil Filter DE 2, 110 V, 50 Hz/60 Hz	104375
External Oil Filter DE 2, 230 V, 50 Hz	104374
<b>Protection Oil mist eliminators</b>	
OME 40 M, oil mist separator for Duo 35/65, Duo 35/65 M	PK Z40 150
OME 40 MR, oil mist separator with oil return to pump for Duo 35/65, Duo 35/65 M	PK Z40 151
Oil mist separator OME 40 S	104887
<b>Protection Oil return units from oil mist eliminators</b>	
Oil return unit ODK from OME 40 M/C to Duo 35/65	PK 005 950 -T
<b>Protection Soft starters</b>	
Soft starter 3.6 A	P 4769 001
Soft starter 6.5 A	P 4769 003
Soft starter 9 A	P 4769 004

<b>Accessories</b>	
<b>Protection Sorption traps, corrosive version</b>	
Sorption Trap ST 40, 115 V (without Adsorbend Charge)	<b>104371</b>
Sorption Trap ST 40, 230 V (without Adsorbend Charge)	<b>053380</b>
<b>Valves Gas ballast conversion kits</b>	
Gas ballast valve conversion kit with hose nozzle	<b>PK 223 713 -U</b>
<b>Valves Gas ballast valves, magnetic</b>	
Gas ballast valve - conversion kit in corrosive gas version, including 24 V DC solenoid valve	<b>PK 223 717 -U</b>
<b>Consumables</b>	
P3, mineral oil, 1 l	<b>PK 001 106 -T</b>
P3, mineral oil, 5 l	<b>PK 001 107 -T</b>
P3, mineral oil, 20 l	<b>PK 001 108 -T</b>
D1, synthetic diester based oil, 1 l	<b>PK 005 875 -T</b>
D1, synthetic diester based oil, 5 l	<b>PK 005 876 -T</b>
D1, synthetic diester based oil, 20 l	<b>PK 005 877 -T</b>

## **VACUUM SOLUTIONS FROM A SINGLE SOURCE**

Pfeiffer Vacuum stands for innovative and custom vacuum solutions worldwide, technological perfection, competent advice and reliable service.

## **COMPLETE RANGE OF PRODUCTS**

From a single component to complex systems:

We are the only supplier of vacuum technology that provides a complete product portfolio.

## **COMPETENCE IN THEORY AND PRACTICE**

Benefit from our know-how and our portfolio of training opportunities!

We support you with your plant layout and provide first-class on-site service worldwide.

Are you looking for a  
perfect vacuum solution?  
Please contact us:

**Pfeiffer Vacuum GmbH**  
Headquarters · Germany  
T +49 6441 802-0  
info@pfeiffer-vacuum.de

[www.pfeiffer-vacuum.com](http://www.pfeiffer-vacuum.com)

All data subject to change without prior notice.

**PFEIFFER**  **VACUUM**