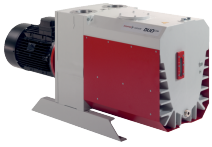


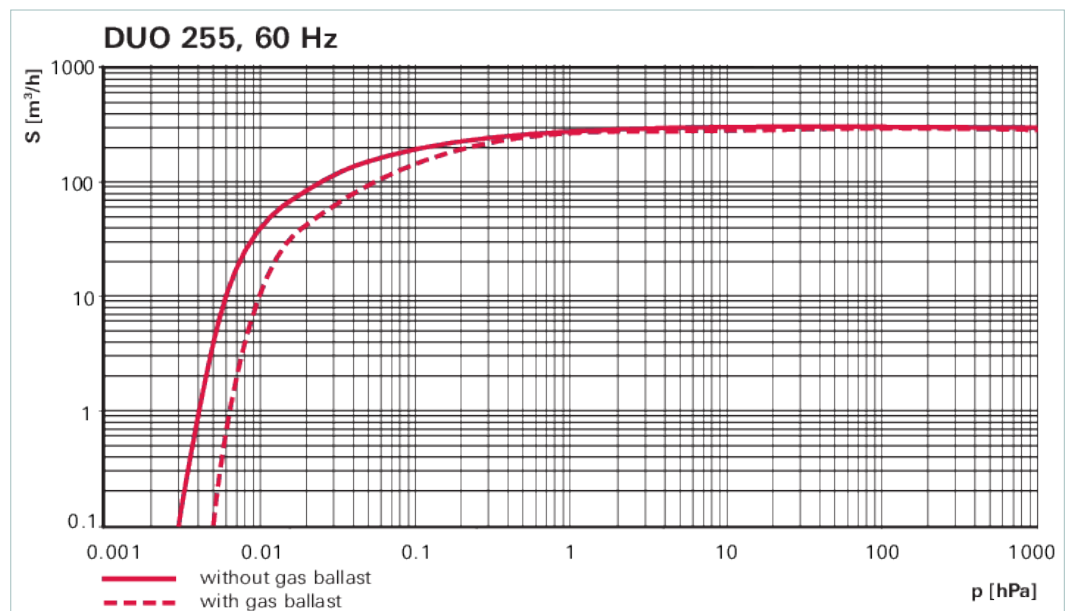
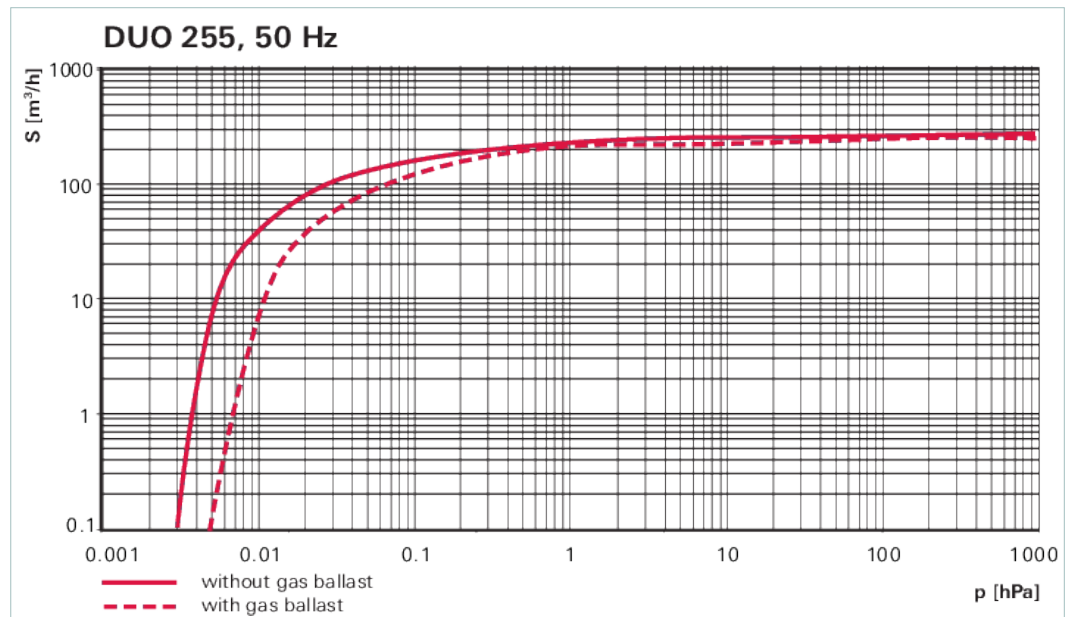
**Duo 255, 3-phase motor, 3TF,
230/400 V, 50 Hz | 265/460 V, 60 Hz**



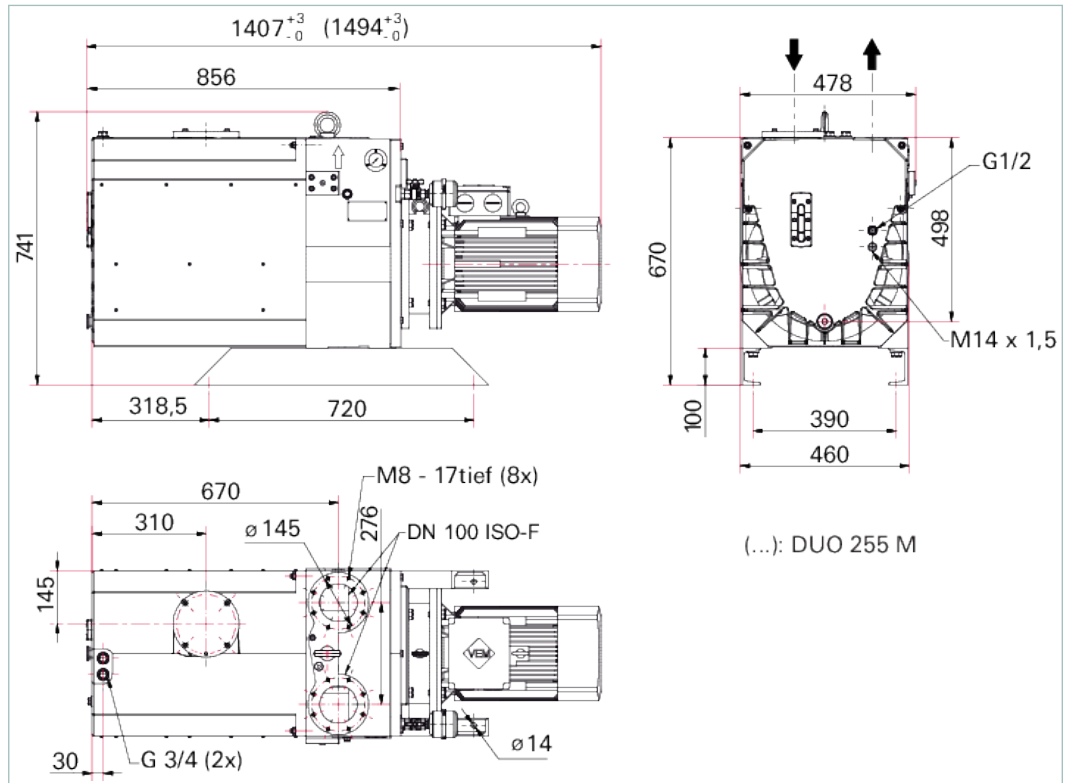
Similar Image

Duo 255, 3-phase motor, 3TF, 230/400 V, 50 Hz | 265/460 V, 60 Hz

- Dual-stage, high-performance rotary vane pump with a pumping speed up to 300 m³/h
- 3-phase motor for 230/400 V (± 5 %) 50 Hz or 265/460 V (± 5 %) 60 Hz supply voltages
- With temperature sensor (3TF) for optimum motor protection
- Integrated gas ballast and HV safety valve
- For all low and medium vacuum applications
- Special feature: Various motor voltages for worldwide employment
- Other motor voltages available on request



Dimensions



Technical Data

Duo 255, 3-phase motor, 3TF, 230/400 V, 50 Hz | 265/460 V, 60 Hz

Connection flange (in)	DN 100 ISO-F
Connection flange (out)	DN 100 ISO-F
Pumping speed at 50 Hz	250 m ³ /h 147.15 cfm 4,166.67 l/min
Pumping speed at 60 Hz	300 m ³ /h 176.58 cfm 5,000 l/min
Final pressure with gas ballast	$4 \cdot 10^{-3}$ hPa $3 \cdot 10^{-3}$ Torr $4 \cdot 10^{-3}$ mbar
Final pressure without gas ballast	$3 \cdot 10^{-3}$ hPa $2.25 \cdot 10^{-3}$ Torr $3 \cdot 10^{-3}$ mbar
Exhaust pressure, min.	Atmospheric pressure
Exhaust pressure, max.	1,500 hPa 1,125 Torr 1,500 mbar
Rotation speed at 50 Hz	1,000 rpm 1,000 min ⁻¹
Rotation speed at 60 Hz	1,200 rpm 1,200 min ⁻¹
Cooling method, standard	Air
Motor protection	3TF
Motor version	3-ph motor
Ambient temperature	12-40 °C 53.6-104 °F 285-313 K
Emission sound pressure level without gas ballast at 50 Hz	≤ 75 dB(A)
Switch	No
Mains requirement: voltage (range)	±5 %
Mains connection: voltage 50 Hz	230/400 V
Mains connection: voltage 60 Hz	265/460 V
Mains cable	No
Operating fluid	P3
Operating fluid amount	25 l
Leak rate safety valve	≤ $1 \cdot 10^{-5}$ Pa m ³ /s ≤ $7.5 \cdot 10^{-5}$ Torr l/s ≤ $1 \cdot 10^{-4}$ mbar l/s
Rated power 50 Hz	7.5 kW
Rated power 60 Hz	9 kW
Protection category	IP55

Technical Data	Duo 255, 3-phase motor, 3TF, 230/400 V, 50 Hz 265/460 V, 60 Hz
Weight	360 kg 793.66 lb

Order number	
Duo 255	PK D48 602

Accessories	
Monitoring Oil/Operating fluid level monitoring	
Operating fluid level switch	PK 006 001 -T
Monitoring Operations monitoring units	
Operations monitoring unit 3 for Duo 35/65, Duo 125/255	PK 223 739 AU
Monitoring Pressure switches	
Oil pressure switch for Duo 125/255	PK 223 806 -T
Monitoring Temperature sensors	
Temperature sensor for operating fluid PR 100	PK 006 040 -T
Operating Fluids Synthetic oil	
D1, synthetic diester based oil, 20 l	PK 005 877 -T
D1, synthetic diester based oil, 5 l	PK 005 876 -T
D1, synthetic diester based oil, 1 l	PK 005 875 -T
Protection Condensate separators	
KAS 100, condensate separator for pumping speeds up to 760 m ³ /h	PK Z10 012
Protection Dust separators/Inlet particle filters	
SAS 100, DN 100 ISO-K, polyester filter	PK Z60 512
Protection Motor protection	
PTC-resistor tripping device for motor protection 220 – 240 V AC	P 4768 052 FQ
Protection Oil filters	
OFM 255, mechanical oil filter	PK Z90 341
Protection Oil mist eliminators	
OME 100 M, oil mist separator for pumping speeds up to 300 m ³ /h	PK Z40 012
OME 100 C, oil mist separator, corrosive gas version, Duo 255 255 M	PK Z40 412
Protection Oil return units from oil mist eliminators	
Oil return unit, ODK 005, standard version	PK Z90 065
Consumables	
P3, mineral oil, 1 l	PK 001 106 -T
P3, mineral oil, 5 l	PK 001 107 -T
P3, mineral oil, 20 l	PK 001 108 -T

VACUUM SOLUTIONS FROM A SINGLE SOURCE

Pfeiffer Vacuum stands for innovative and custom vacuum solutions worldwide, technological perfection, competent advice and reliable service.

COMPLETE RANGE OF PRODUCTS

From a single component to complex systems:

We are the only supplier of vacuum technology that provides a complete product portfolio.

COMPETENCE IN THEORY AND PRACTICE

Benefit from our know-how and our portfolio of training opportunities!

We support you with your plant layout and provide first-class on-site service worldwide.

Are you looking for a
perfect vacuum solution?
Please contact us:

Pfeiffer Vacuum GmbH
Headquarters · Germany
T +49 6441 802-0
info@pfeiffer-vacuum.de

www.pfeiffer-vacuum.com

All data subject to change without prior notice.

PFEIFFER  **VACUUM**