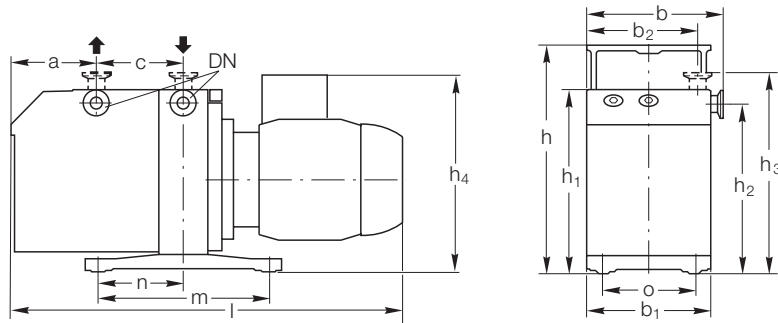


TRIVAC D 4 B and D 8 B



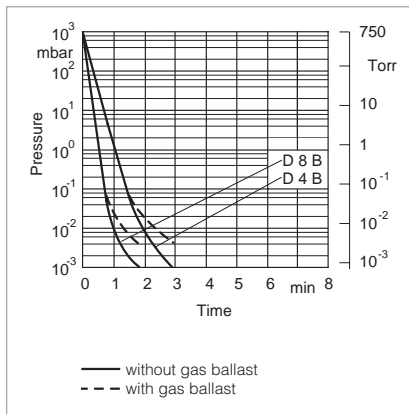
TRIVAC D 4 B (left) and TRIVAC D 8 B (right)



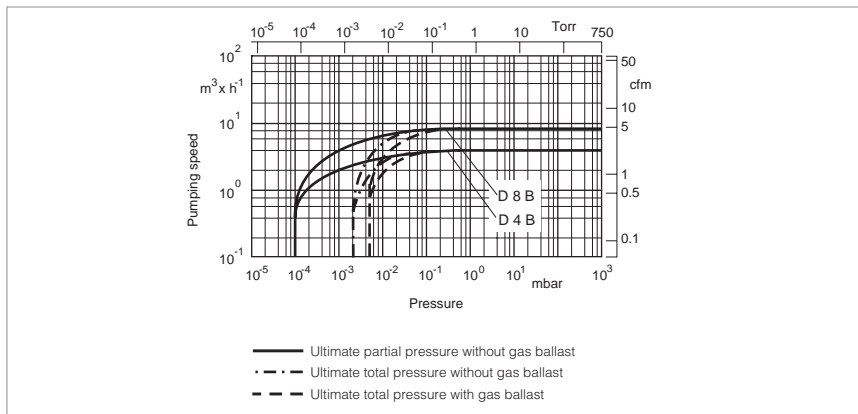
| Type | DN | | a | b | b ₁ | b ₂ | c | h | h ₁ | h ₂ | h ₃ | h ₄ ¹⁾ | l ¹⁾ | m | n | o |
|-------------------------|-------|-----|------|------|----------------|----------------|------|-------|----------------|----------------|----------------|------------------------------|-----------------|------|------|------|
| D 4 B (Part No. 112 45) | 16 KF | mm | 75 | 162 | 147 | 132 | 100 | 265 | 215 | 200 | 230 | 234 | 441 | 198 | 99 | 108 |
| | | in. | 2.95 | 6.38 | 5.79 | 5.23 | 3.94 | 10.43 | 8.46 | 7.87 | 9.06 | 9.21 | 17.36 | 7.80 | 3.90 | 4.25 |
| D 8 B (Part No. 112 55) | 16 KF | mm | 100 | 162 | 147 | 132 | 100 | 265 | 215 | 200 | 230 | 234 | 465 | 198 | 99 | 108 |
| | | in. | 3.94 | 6.38 | 5.79 | 5.23 | 3.94 | 10.43 | 8.46 | 7.87 | 9.06 | 9.21 | 18.31 | 7.80 | 3.90 | 4.25 |

¹⁾ For dimensions h₄ and l for further part numbers, see paragraph "Motor Dependent Data for the TRIVAC B, BCS and BCS-PFPE"

Dimensional drawing for the TRIVAC D 4 B and D 8 B



Pump-down characteristics of a 10 l vessel at 50 Hz



Pumping speed characteristics at 50 Hz (60 Hz curves at the end of the chapter)

Technical Data

TRIVAC D 4 B

TRIVAC D 8 B

two-stage

two-stage

50 Hz

60 Hz

50 Hz

60 Hz

| | | 50 Hz | 60 Hz | 50 Hz | 60 Hz |
|---|-------------------------|--|--|--|--|
| Nominal pumping speed ¹⁾ | m ³ /h (cfm) | 4.8 (2.8) | 5.8 (3.4) | 9.7 (5.7) | 11.6 (6.9) |
| Pumping speed ¹⁾ | m ³ /h (cfm) | 4.2 (2.5) | 5.0 (3.0) | 8.5 (5) | 10.2 (6) |
| Ultimate partial pressure without gas ballast ¹⁾ | mbar (Torr) | 10 ⁻⁴ (0.75 x 10 ⁻⁴) | 10 ⁻⁴ (0.75 x 10 ⁻⁴) | 10 ⁻⁴ (0.75 x 10 ⁻⁴) | 10 ⁻⁴ (0.75 x 10 ⁻⁴) |
| Ultimate total pressure without gas ballast ¹⁾ | mbar (Torr) | < 2 x 10 ⁻³ (< 1.5 x 10 ⁻³) | < 2 x 10 ⁻³ (< 1.5 x 10 ⁻³) | < 2 x 10 ⁻³ (< 1.5 x 10 ⁻³) | < 2 x 10 ⁻³ (< 1.5 x 10 ⁻³) |
| Ultimate total pressure with gas ballast ¹⁾ | mbar (Torr) | < 5 x 10 ⁻³ (< 3.8 x 10 ⁻³) | < 5 x 10 ⁻³ (< 3.8 x 10 ⁻³) | < 5 x 10 ⁻³ (< 3.8 x 10 ⁻³) | < 5 x 10 ⁻³ (< 3.8 x 10 ⁻³) |
| Water vapor tolerance ¹⁾ | mbar (Torr) | 30.0 (22.5) | 30.0 (22.5) | 25.0 (18.8) | 25.0 (18.8) |
| Water vapor capacity | g/h (lbs/h) | 93 (0.205) | 110 (0.243) | 160 (0.353) | 190 (0.419) |
| Oil filling, min. / max. | l (qt) | 0.3 / 0.8 (0.3 / 0.85) | 0.3 / 0.8 (0.3 / 0.85) | 0.3 / 0.9 (0.3 / 0.95) | 0.3 / 0.9 (0.3 / 0.95) |
| Noise level ²⁾ to DIN 45 635, without / with gas ballast | dB(A) | 50 / 52 | 50 / 52 | 50 / 52 | 50 / 52 |
| Admissible ambient temperature | °C (°F) | +12 to +40 (+54 to +104) | +12 to +40 (+54 to +104) | +12 to +40 (+54 to +104) | +12 to +40 (+54 to +104) |
| Motor rating ²⁾ | W (HP) | 370 (0.50) | 370 (0.50) | 370 (0.50) | 370 (0.50) |
| Nominal speed | rpm | 1500 | 1800 | 1500 | 1800 |
| Type of protection | IP | 3) | 3) | 3) | 3) |
| Weight ²⁾ | kg (lbs) | 18.7 (39.4) | 18.7 (39.4) | 21.2 (46.7) | 21.2 (46.7) |
| Connections, Intake and Exhaust | DN | 16 KF | 16 KF | 16 KF | 16 KF |

¹⁾ To DIN 28 400 and following numbers

²⁾ Motor rating and noise levels for the pumps with AC motor 50 Hz.

Any data that deviate from the above for pumps with other motors, and other motor-dependent data are given in chapter "Products", paragraph "Motor Dependent Data for the TRIVAC B, BCS and BCS-PFPE".

³⁾ See paragraph "Motor Dependent Data for the TRIVAC B, BCS and BCS-PFPE".

Ordering Information

TRIVAC D 4 B two-stage

TRIVAC D 8 B two-stage

| | Part No. | Part No. |
|---|-----------------------|-----------------------|
| TRIVAC B | | |
| with 1-phase motor 230 V, 50 Hz ¹⁾ | 112 45 | 112 55 |
| with dual voltage motor ²⁾ 110-115/210-230 V, 50/60 Hz | 140 081 | 140 082 |
| with 3-phase motor 200 – 240/380 – 400 V, 50 Hz / 200 – 240/380 – 480 V, 60 Hz ¹⁾ | 112 46 | 112 56 |
| 219 – 242 V / 380 – 420 V, 50Hz, ATEX Category 3 inside and 3 outside II 3/3G EX h IIC T4 (50 Hz) Gc / EX h IIC T3 (50 Hz) Gc (12°C ≤ Ta ≤ 40°C) | 140 140 | 140 150 |
| Mains cord for dual voltage motor ²⁾ | | |
| 230 V Schuko plug | E20081091 | E20081091 |
| 230 V UK plug | E20081097 | E20081097 |
| 230 V CH plug | E20081099 | E20081099 |
| 230 V NEMA plug (200-240 V) | E20081141 | E20081141 |
| 115 V NEMA plug (100-120 V) | E20081090 | E20081090 |
| Transition connector (250 V AC, 10 A, L+N+PE) only necessary in Switzerland for 1~ pumps | 800 001 274 | 800 001 274 |
| Accessories | | |
| Dust filter | | |
| Filter pot FH 16 | 140 116 T | 140 116 T |
| Dust filter insert DF 16-25 | 140 117 S | 140 117 S |
| Adsorption trap | | |
| Filter pot FH 16 | 140 116 T | 140 116 T |
| Adsorption filter insert RF 16-25 | 140 118 A | 140 118 A |
| Accessories for dust filter and adsorption trap | | |
| Active charcoal | 178 10 | 178 10 |
| Zeolite | 854 20 | 854 20 |
| Activated aluminium oxide, 1.3 kg (2 l approx.) | 854 10 | 854 10 |
| TK 4-8 cold trap | 188 20 | 188 20 |
| AF 4-8 exhaust filter | 189 06 | 189 06 |
| AR 4-8 exhaust filter with lubricant return | 189 20 | 189 20 |
| AK 4-8 condensate trap | 188 06 | 188 06 |
| OF 4-25 mechanical oil filter | 101 91 | 101 91 |
| CF 4-25 chemical oil filter | 101 96 | 101 96 |
| Connector for gas ballast inlet M 16 x 1.5 – DN 16 KF | 168 40V01 | 168 40V01 |
| Oil drain tap M 16 x 1.5 | 190 90 | 190 90 |
| Spare Parts | | |
| Inner body | E 200 10 989 | E 200 10 991 |
| Major maintenance kit (without oil) | EK 110 002 622 | EK 110 002 620 |
| Minor maintenance kit (without oil) | EK 110 002 628 | EK 110 002 627 |
| Shaft sealing replacement kit | EK 110 002 631 | EK 110 002 631 |
| Small parts kit | EK 110 002 634 | EK 110 002 634 |
| Seal kit | 197 20 | 197 20 |

For further accessories see section “Accessories for TRIVAC E, B and BCS”

¹⁾ Certification after 2014/34/EU (ATEX), Category 3 inside. II 3-/G Ex h IIC T4 (50 Hz) Gc, II 3-/G Ex h IIC T3 (60 Hz) Gc, (12°C ≤ Ta ≤ 40°C)

²⁾ Mains cord 20081091 (Schuko) in delivery included. Other mains cords must be ordered additionally.